

hope | F22

F22

PRODUCT DESCRIPTION

The culmination of all our experience making the F20 pedal the F22 is the next evolution of flat pedal from Hope Technology. A new cage and pin design increases stability, shoe support and grip. The proven internal layout remains largely unchanged from the F20 giving strong, smooth long-term durability.

PRODUCT SPECIFICATIONS

- > Fully CNC machined concave pedal bodies.
- > Optimized shoe/pedal contact area for maximum grip, stability, and control.
- > Eleven pins per side.
- > Hexagonal head pins for increased grip.
- > Adjustable pin height using optional spacer
- > Three cartridge bearings and an IGUS bush for smooth long-term durability - proven on F20.
- > Fully serviceable and re-buildable
- > High strength Cr-Mo, heat treated and plated axle.
- > Weight: 360grams per pair.
- > Six colour options.
- > Two year warranty



F22

PLATFORM SIZE

The F22 has 30% more usable surface area than F20.
105mm x 102mm - Usable

CAGE SIZE

105mm x 111mm



PEDAL THICKNESS

14mm Centre
17mm Outside

- > Asymmetric shape designed to give more support, extending to areas the F20 platform didn't.
- > Careful consideration has been given to getting the right balance between foot stability and clearance in narrow gaps and ruts.

CONCAVITY

The platform profile is 14mm in the centre, 17mm at the outside. Concavity is enhanced using pins.

FRONT TO BACK CONCAVITY

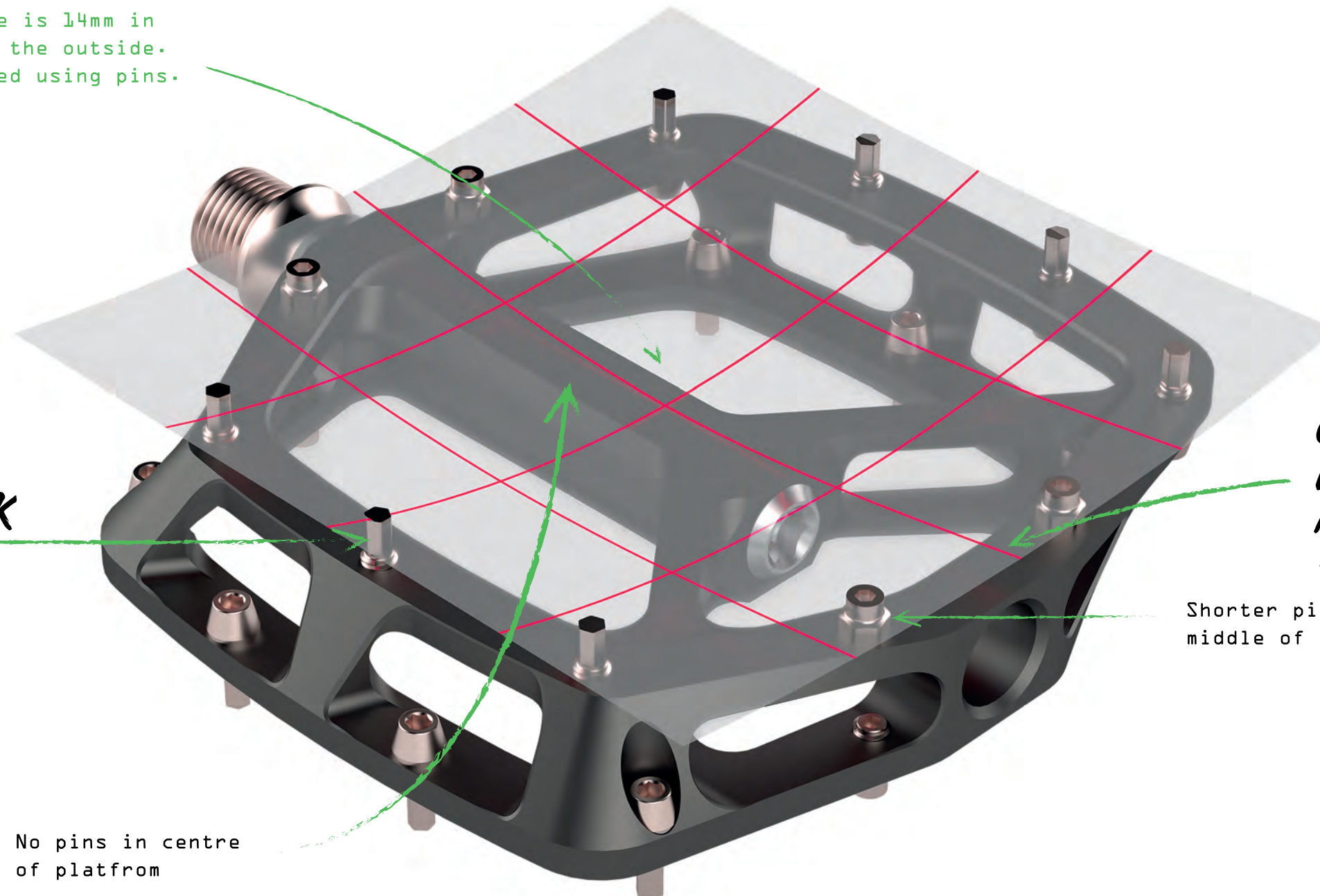
6.5 to 7.5mm

CONCAVITY LEFT TO RIGHT

5.5mm

Shorter pins in the middle of platform

No pins in centre of platform



> Dual concave profile helps hold the shoe on the platform and give a superior planted feeling.

F22

MAIN PINS

Unique hexagonal profile for extra bite and more resistance to side loads.

SECONDARY PINS

Shorter (4mm) centrally placed to further enhance concavity.

SPACERS

Pin height adjustable using supplied spacers.

- > 5mm with spacer
- > 6mm without spacer

PIN INSTALLATION

Reverse loading design prevents pins coming loose and makes removal easier.

F22

IGUS BUSH

Handles impact loads and gives long maintenance free service.

F22 AXLE

High strength Cr-Mo.
Revised design for improved fatigue and impact resistance.

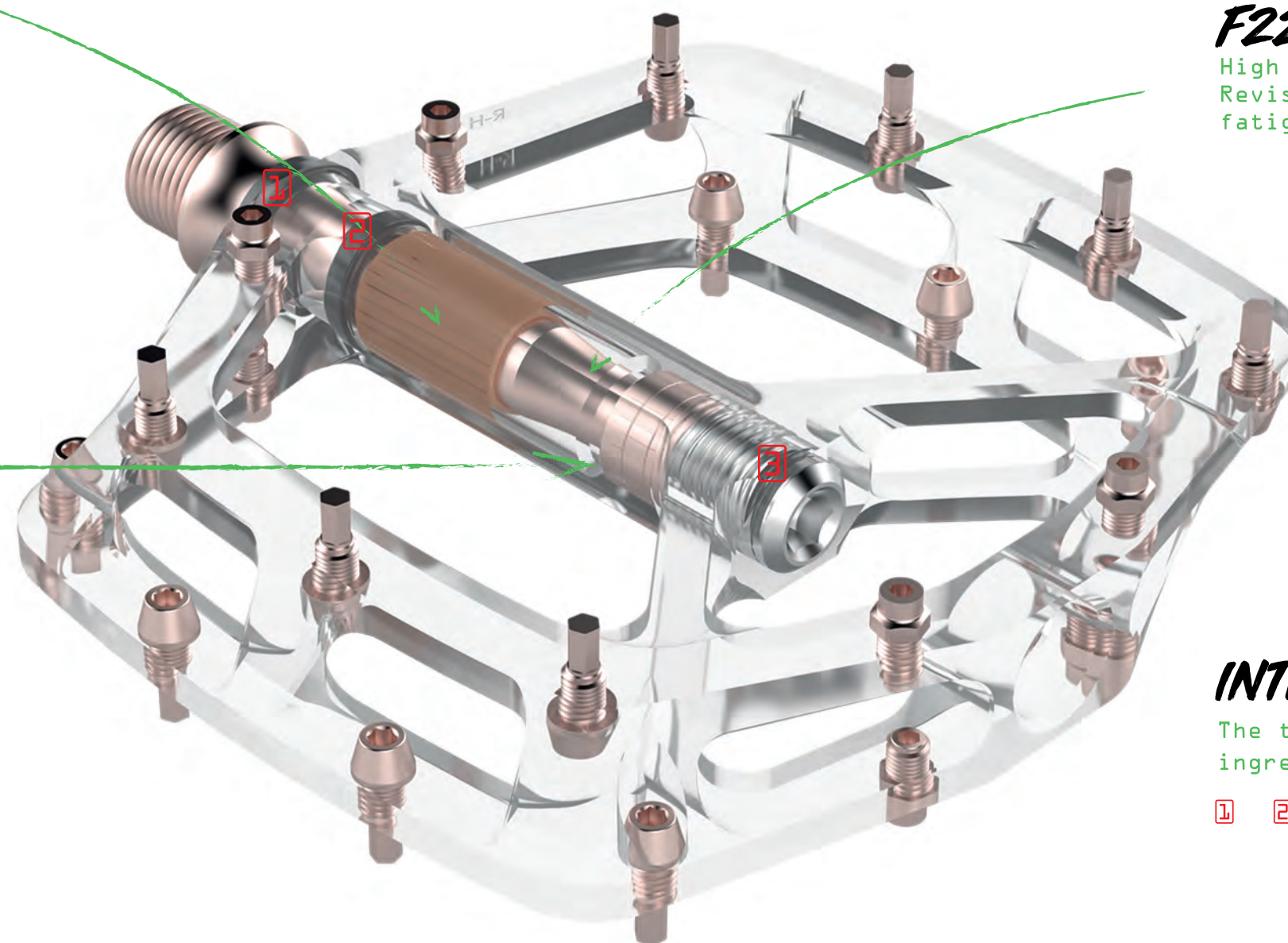
CARTRIDGE BEARINGS

Three bearings ensure smooth running.

INTERNAL SEALS

The three seals prevent any ingress of dirt and debris.

1 2 3



> Proven internal layout of F20 pedal remains for smooth longterm durability.

> Ti axle upgrade available.

F22



F22



PRODUCT_SPECIFICATION_ED03

F22

PEDAL AXLE

HPD003-8 (RH)
HPD003-9 (LH)

FACE LIP SEAL

PDSP007

SHAFT DOUBLE LIP SEAL

HPD003-7

PLAIN BUSH

PDSP004

PEDAL BODY

HPD003-22R
HPD003-22L

HEX PEDAL PIN x 14

HPD003-4

M4 PEDAL PIN x 8

HPD001-19

1MM PIN SPACER x 14

HPD001-25

BEARINGS $\varnothing 5 \times \varnothing 11 \times 3 \times 3$

PDSP005

M5 LOCKNUT

HBSP19

END NUT

PDSP006

O'RING $\varnothing 9 \times 15$

HBSP290